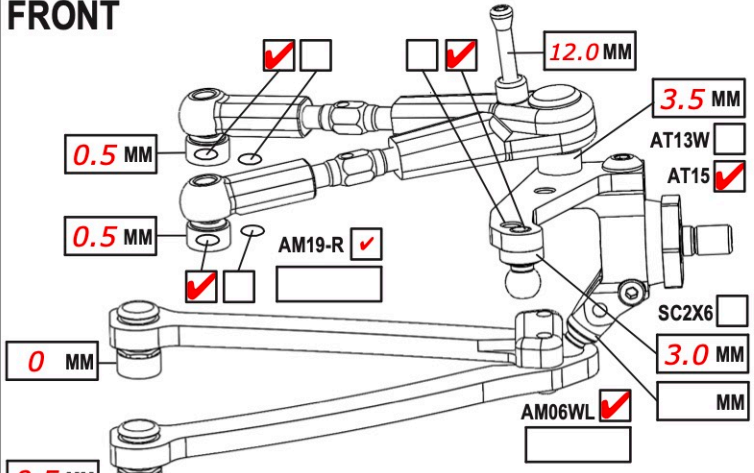


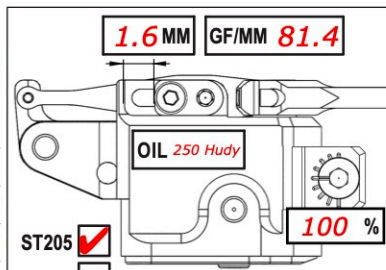
NAME **Michele Manzo**  
 RACE **Swiss Nationals Rd1**  
 TRACK **MRC Chiasso**  
 COUNTRY **CH** CLASS **Mod**

DATE **18-19.04.26** TEMP. °C AIR / TRACK **25 /**  
 TRACK SURFACE ASPHALT  CARPET   
 TRACK LAYOUT TECHNICAL  MIXED  FAST   
 TRACTION LOW  MEDIUM  HIGH

### FRONT

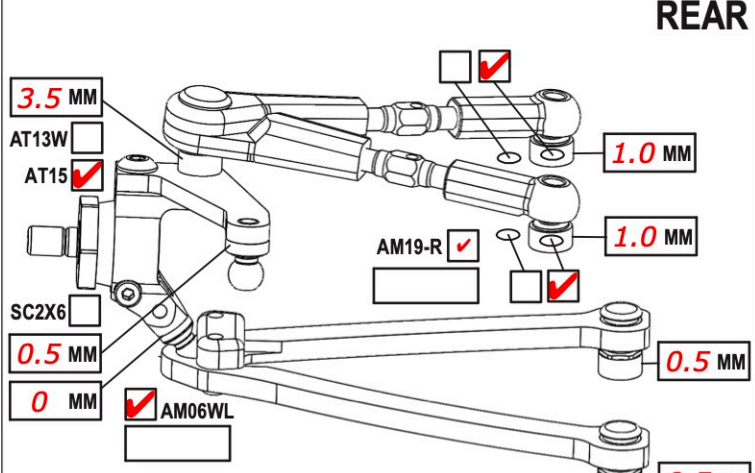


CAMBER ANGLE / ° **1.5**  
 CASTER ANGLE / ° **4.5**  
 TOE ANGLE / ° **1.5**  
 RIDE HEIGHT / MM **4.8**  
 DOWNSTOP / MM **6.0**  
 UPSTOP / MM **33.4**  
 ANTI-ROLL BAR Ø / MM **1.1**  
 ARB STIFFENER 1/4  1/2  3/4  1   
 LOWER ARM EXTENSION / MM **0**  
 STEER. ARM AM14LS   
 2ND SPRING SPR-P2  P1   
 WHEEL SPACER / MM **0**  
 DRIVE SPOOL  DIFF   
 DRIVE POSITION DOWN  UP  +1   
 DIFF OIL  DIFF SHIMS

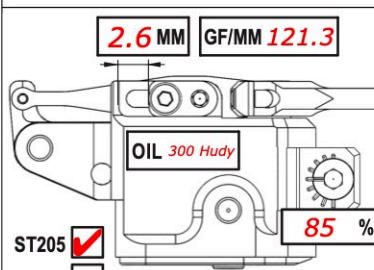


SHOCKS SETUP  
 ST205  ST05-R   
 DAMPER D4   
 ROTOR 2 HOLES   
 SPRING STD  S   
 SRS/RHS ARR. I  II   
 PSS SETUP 30%  25%  15%   
 DAMPING LINEAR  P1  P2   
 DAMPER SPACER / MM **ST237**  
 C45 YES  NO

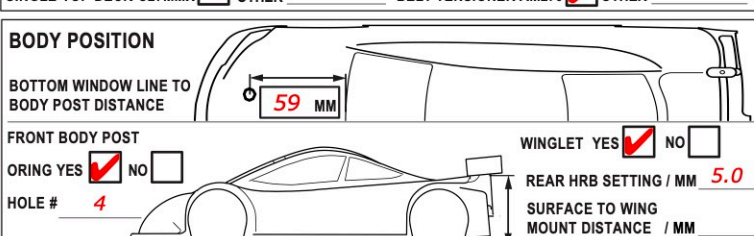
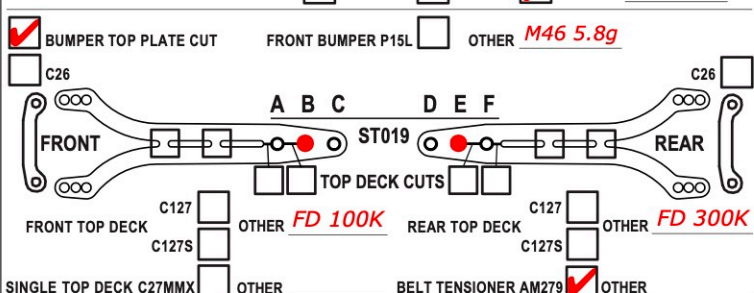
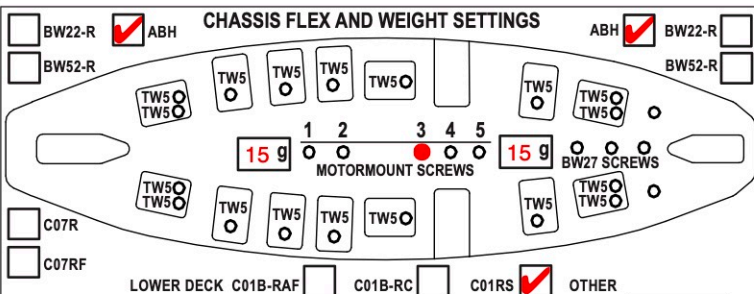
### REAR



CAMBER ANGLE / ° **1.5**  
 CASTER ANGLE / ° **-3.0**  
 TOE ANGLE / ° **2.8**  
 RIDE HEIGHT / MM **5.0**  
 DOWNSTOP / MM **4.6**  
 UPSTOP / MM **22.8**  
 ANTI-ROLL BAR Ø / MM **1.1**  
 ARB STIFFENER 1/4  1/2  3/4  1   
 LOWER ARM EXTENSION / MM **-1**  
 STEER. ARM AM23-1   
 2ND SPRING SPR-P2  P1   
 WHEEL SPACER / MM **0**  
 DRIVE SPOOL  DIFF   
 DRIVE POSITION DOWN  UP  +1   
 DIFF OIL **7K** DIFF SHIMS **Small**



SHOCKS SETUP  
 ST205  ST05-R   
 DAMPER D4   
 ROTOR 2 HOLES   
 SPRING STD  S   
 SRS/RHS ARR. I  II   
 PSS SETUP 30%  25%  15%   
 DAMPING LINEAR  P1  P2   
 DAMPER SPACER / MM **ST237**  
 C45 YES  NO



TIRES **Sweep D36**  
 INSERTS   
 SIDE WALLS GLUE Ø / MM F - R -   
 ADDITIVE **Sweep X5** TIME MIN. F **20** R **20**  
 TOTAL WEIGHT **1303** WEIGHT DISTRIBUTION % F **49** R **51**  
 NOTES:

MOTOR LATERAL SHIFT / MM **0** SERVO **MKS HBL575SL**  
 MOTOR **HW G3 4.5t(32.5°endebell)** SERVOHORN / HEIGHT **17mm**  
 SPUR **112** PINION **29** RATIO **7.34** ACKERMANN POSITION **rearward**  
 BODY **Ghibli 3.0** STEER TRAVEL IN **25** OUT **16**  
 WING **Wolverine** BATTERY **Team EAM ULCG 4200**  
 ESC **HW XR10 Pro G3** RECEIVER **RX 492**  
 ESC SETTING RADIO **Sanwa M17**  
 BEST LAPTIME **11.4** QUALIF./FINAL POSITION **1 / 1**

COMMENTS:  
**BS1-Ti - ST03Ti**