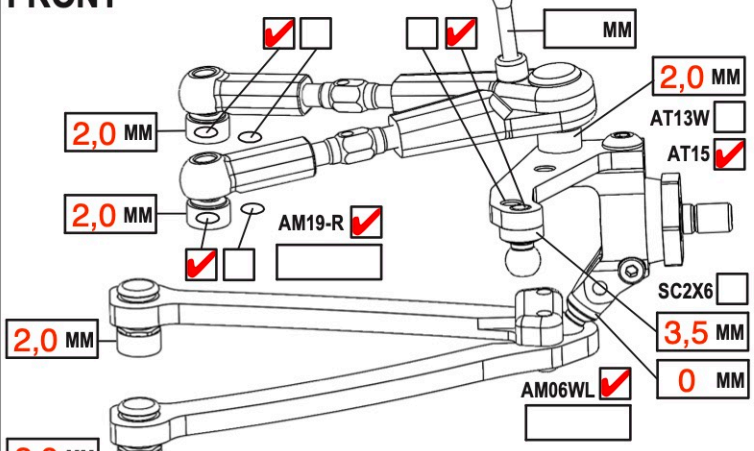


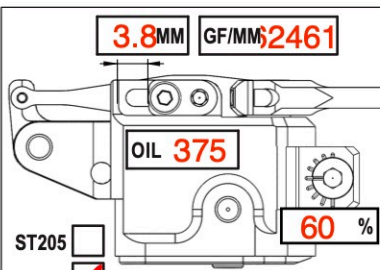
NAME **Daniel Pöhlmann**
 RACE **Hudy Series - AECAR Andalusia 2026**
 TRACK **C.D.A. Sevilla Paco Rebollo**
 COUNTRY **Spain** CLASS **17.5T**

DATE **31.05.2026** TEMP. °C AIR / TRACK **40°C / 70°C**
 TRACK SURFACE ASPHALT CARPET
 TRACK LAYOUT TECHNICAL MIXED FAST
 TRACTION LOW MEDIUM HIGH

FRONT

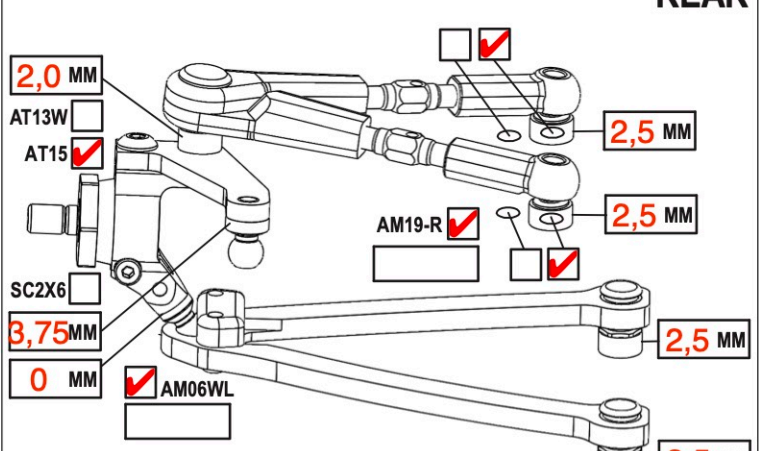


CAMBER ANGLE / ° **-2**
 CASTER ANGLE / ° **4,0**
 TOE ANGLE / ° **+1,2**
 RIDE HEIGHT / MM **4,8**
 DOWNSTOP / MM **5,2**
 UPSTOP / MM **-**
 ANTI-ROLL BAR Ø / MM **1,1**
 ARB STIFFENER 1/4 1/2 3/4 1
 LOWER ARM EXTENSION / MM **0**
 STEER. ARM AM14LS
 2ND SPRING SPR-P2 P1
 WHEEL SPACER / MM **-**
 DRIVE SPOOL DIFF
 DRIVE POSITION DOWN UP +1
 DIFF OIL DIFF SHIMS

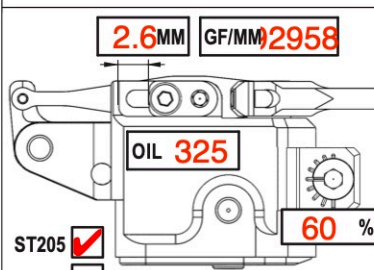


SHOCKS SETUP
 ST205 ST05-R
 DAMPER D4
 ROTOR 2 HOLES
 SPRING STD S
 SRS/RHS ARR. I II
 PSS SETUP 30% 25% 15%
 DAMPING LINEAR P1 P2
 DAMPER SPACER / MM
 C45 YES NO

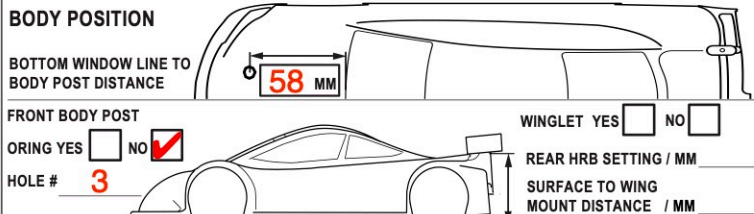
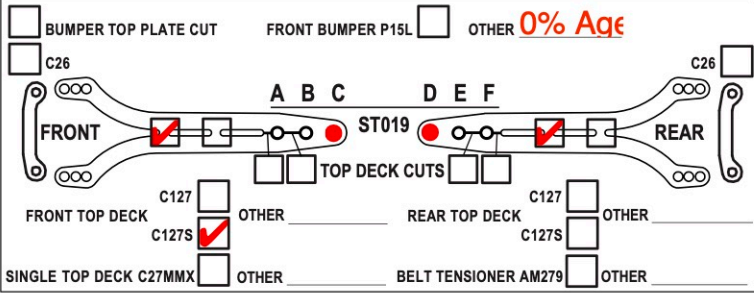
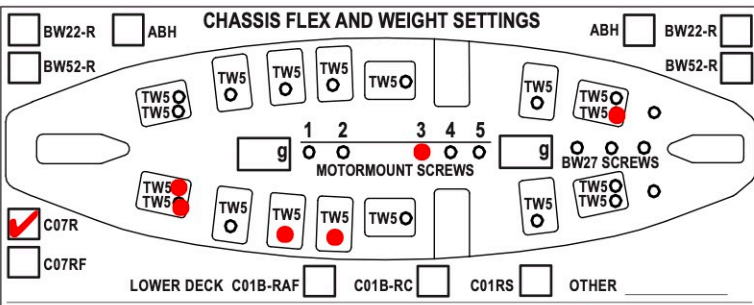
REAR



CAMBER ANGLE / ° **-2,0**
 CASTER ANGLE / ° **-2,5**
 TOE ANGLE / ° **2,75**
 RIDE HEIGHT / MM **5,1**
 DOWNSTOP / MM **4,0**
 UPSTOP / MM **-**
 ANTI-ROLL BAR Ø / MM **1,1**
 ARB STIFFENER 1/4 1/2 3/4 1
 LOWER ARM EXTENSION / MM **0**
 STEER. ARM AM23-1 **23-R**
 2ND SPRING SPR-P2 P1
 WHEEL SPACER / MM **0,5**
 DRIVE DIFF
 DRIVE POSITION DOWN UP +1
 DIFF OIL **6K** DIFF SHIMS **0,4mm**



SHOCKS SETUP
 ST205 ST05-R
 DAMPER D4
 ROTOR 2 HOLES
 SPRING STD S
 SRS/RHS ARR. I II
 PSS SETUP 30% 25% 15%
 DAMPING LINEAR P1 P2
 DAMPER SPACER / MM
 C45 YES NO



TIRES **HUDY 803062 - A1-36**
 INSERTS **Preglued**
 SIDE WALLS GLUE Ø / MM F R
 ADDITIVE **Hudy Asphalt** TIME MIN. F **20** R **20**
 TOTAL WEIGHT **1325** WEIGHT DISTRIBUTION % F **50,5** R **49,5**
 NOTES: **only Additive 10 min, 10 min tyre heating 55°C**

MOTOR LATERAL SHIFT / MM **1** SERVO **MKS HBL575**
 MOTOR **HW30401760(ETS)** SERVOHORN / HEIGHT **17mm**
 SPUR **90** PINION **45** RATIO **5** ACKERMANN POSITION **back**
 BODY **Zoo Wolverine 0.4** STEER TRAVEL IN **25** OUT
 WING **Standard** BATTERY **GensAce 8500**
 ESC **HW-30112103 (ETS)** RECEIVER **Sanwa RX-491**
 ESC SETTING **21K,80%Brake** RADIO **Sanwa M17**
 BEST LAP TIME **25,50** QUALIF./FINAL POSITION **2 / 3**

COMMENTS
MAX-09-002, BW7, SB3x5AL, OR14V
only 1 set of tyre per race
setup for very hot conditions