

NAME **Max Mächler**
 RACE **EFRA Euros 2026**
 TRACK **non permanent**
 COUNTRY **Italy** CLASS **13.5T**

DATE **17.-19.04.2026** TEMPERATURE AIR / TRACK **20 °C / °C**
 SURFACE ASPHALT OUTDOOR INDOOR CARPET
 TRACK CONDITIONS BUMPY FLAT TECHNICAL MIXED FAST
 TRACTION LOW MEDIUM HIGH

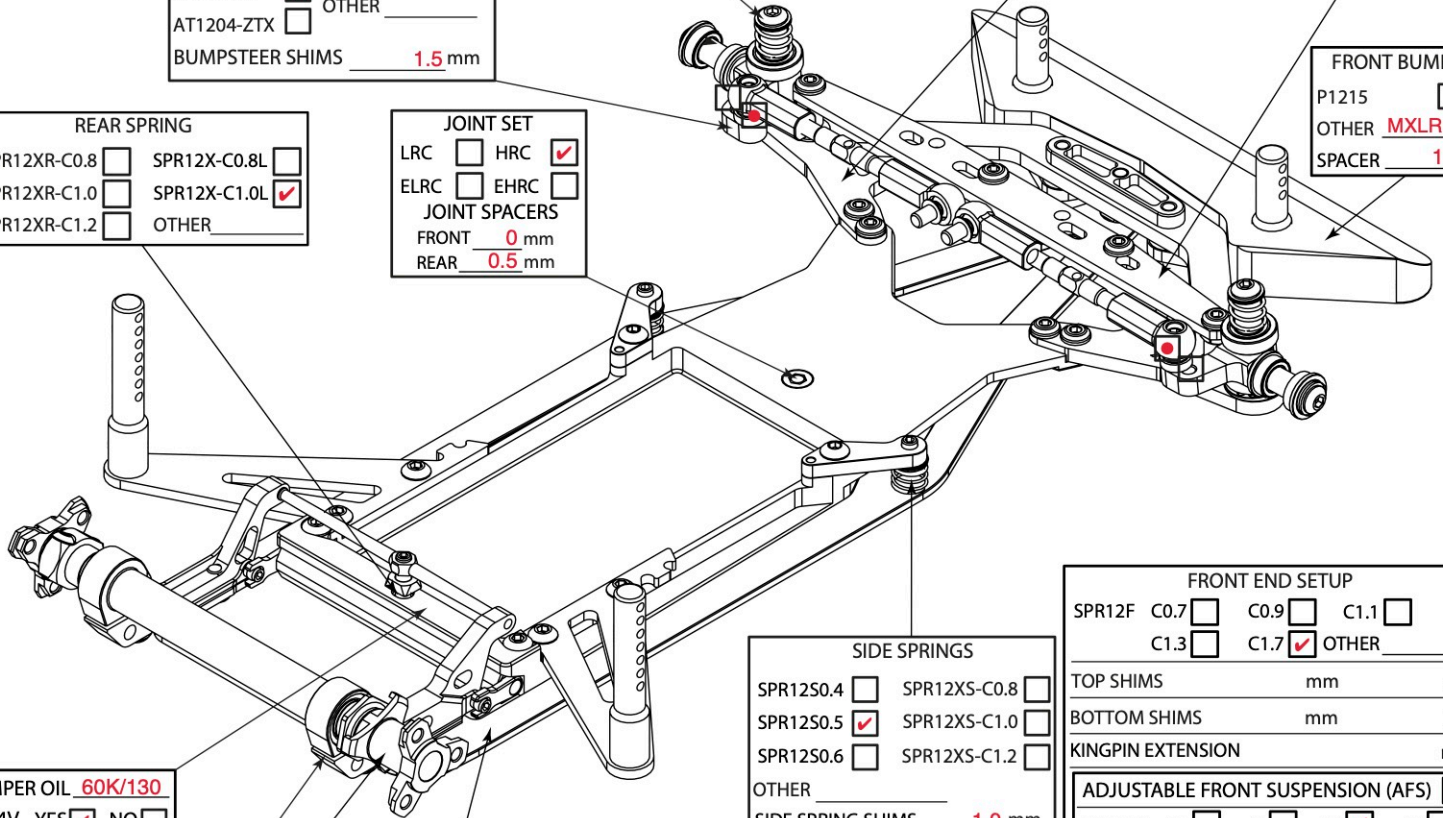
STEERING HUB POST		SUSPENSION PLATE		SERVO PLATE	
ST1208-C4S <input type="checkbox"/>	ST1208-C5AL <input type="checkbox"/>	C1205-X <input type="checkbox"/>	C1205AFS <input type="checkbox"/>	C1201-X <input type="checkbox"/>	C1201AFS <input type="checkbox"/>
ST1208-C5S <input type="checkbox"/>	ST1208-C5AL <input type="checkbox"/>	C1205-ZT <input type="checkbox"/>	C1205AFS-1.5 <input checked="" type="checkbox"/>	C1201-ZT <input type="checkbox"/>	C1201AFS-1.5 <input checked="" type="checkbox"/>
ST1208-C6S <input type="checkbox"/>	ST1208-C6AL <input type="checkbox"/>	C1205-X-1.5 <input type="checkbox"/>	C1205AFS-5.0 <input type="checkbox"/>	C1201 <input type="checkbox"/>	C1201AFS-5.0 <input type="checkbox"/>
CAMBER _____ °		C1205-6.0 <input type="checkbox"/>	OTHER _____	OTHER _____	

STEERING BLOCKS
 AT1204-X OTHER _____
 AT1204-ZTX
 BUMPS/TEER SHIMS 1.5 mm

REAR SPRING
 SPR12XR-C0.8 SPR12X-C0.8L
 SPR12XR-C1.0 SPR12X-C1.0L
 SPR12XR-C1.2 OTHER _____

JOINT SET
 LRC HRC
 ELRC EHRC
 JOINT SPACERS
 FRONT 0 mm
 REAR 0.5 mm

FRONT BUMPER
 P1215
 OTHER **MXLR WC**
 SPACER 1 mm



DAMPER OIL **60K/130**
 OR14V YES NO

RISE HEIGHT SPACERS 0.5 mm

REAR AXLE
 SSS SPOOL BALL DIFF
 CS-1 SPOOL GEAR DIFF
 CARBON BRAND _____
 STEEL OIL _____

OUTER FRAME
 AM1204X-ST
 AM1204X-STS
 AM1204WC
 AM1204XT

SIDE SPRINGS
 SPR1250.4 SPR12XS-C0.8
 SPR1250.5 SPR12XS-C1.0
 SPR1250.6 SPR12XS-C1.2
 OTHER _____
 SIDE SPRING SHIMS 1.0 mm
 SIDE SPRING GAP _____ mm

FRONT END SETUP
 SPR12F C0.7 C0.9 C1.1
 C1.3 C1.7 OTHER _____
 TOP SHIMS _____ mm _____ pcs
 BOTTOM SHIMS _____ mm _____ pcs
 KINGPIN EXTENSION _____ mm
 ADJUSTABLE FRONT SUSPENSION (AFS)
 CASTER 3° 4° 5° 6°
 CAMBER 1.25 ° DROOP 1.4 mm
 SPRING PRELOAD 23.5 mm
 O-RINGS 0pcs 1pcs 2pcs
 O-RING TYPE _____
 GREASE **MXLR 15K Orange**

FRONT RIDE HEIGHT (FRH)	3.4 mm	FRONT DROOP (FD)	1.4 mm
REAR RIDE HEIGHT (RRH)	3.6 mm	REAR DOWNSTOP (RD)	2,60 mm
GAP UNDER DAMPER (GUD)	1.0 mm	TRACK WIDTH	
DOWNSTOP NUT GAP (DNG)	0.4 mm	FRONT	167.5 (all outside) mm
SPRING ROD HEIGHT (SRH)	1.6 mm	REAR	170.00 mm

BATTERY **Team EAM 9200**
 BATTERY PLUGS FRONT BACK
 SERVO POSITION LEFT RIGHT
 ESC POSITION LEFT RIGHT
 SERVO **MKS HV50P**
 SERVO SAVER **Hudy Adjustable (Outside)**
 SHIMS ON SERVO SAVER **0** mm
 TOE OUT **0.75** °
 STEER. TRAVEL IN **25** ° OUT _____ °

TIRES	FRONT	REAR	FRONT 50%mm REAR	
BRAND	HotRace	HotRace		
TYPE	T-Foam Soft	T-Foam Soft		
DIAMETER	40.6 mm	41.2 mm		
GLUED SIDEWALLS	FRONT <input type="checkbox"/>	REAR <input type="checkbox"/>	TIME 60 min	TIME 60 min

MOTOR Hobbywing G5 13.5T	TOTAL WEIGHT 735g
SPUR 72 PINION 45 ROLLOUT 80,90	F/R WEIGHT DISTRIBUTION
ESC HW XR10 Pro 1S HD	RECEIVER Sanwa RX493
ESC SETTINGS Blinky	RADIO Sanwa M17S
BODY LensBodies Ponente	REAR BODY HEIGHT (SIDE DAMS) 87 mm
BEST LAP TIME 10.2	QUALIF / FINAL POSITION 5 / 7

COMMENTS:
 MobGums Additive
 AM1204XT Outer Frame / No SH1.5W between C1204 & C1205AFS-1.5. / SB3X7AL Screws for mounting of the rear Wheels.
 MXLR A12X Fan Mount + AXON 30mm HYPER Fan.
 MXLR FlexBumper WC Edition (1mm spacers used).
 MXLR Carbon Electronics Plate for A12X.
 MXLR 12g Tungsten under Receiver