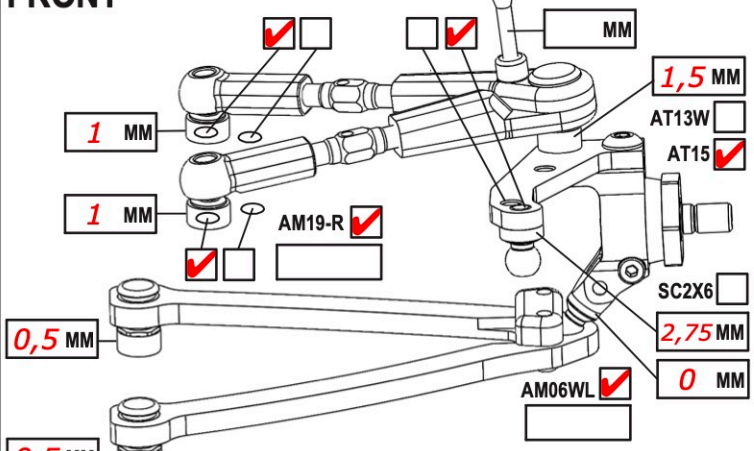


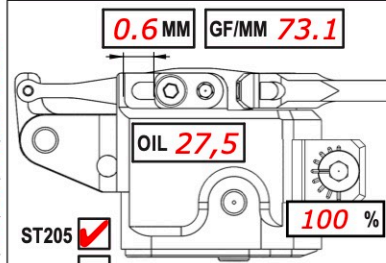
NAME **JerryDai**
 RACE **RCTS Round 17**
 TRACK **RCI V3**
 COUNTRY **China** CLASS **Mod**

DATE **2026.3.15** TEMP. °C AIR / TRACK /
 TRACK SURFACE ASPHALT CARPET
 TRACK LAYOUT TECHNICAL MIXED FAST
 TRACTION LOW MEDIUM HIGH

FRONT

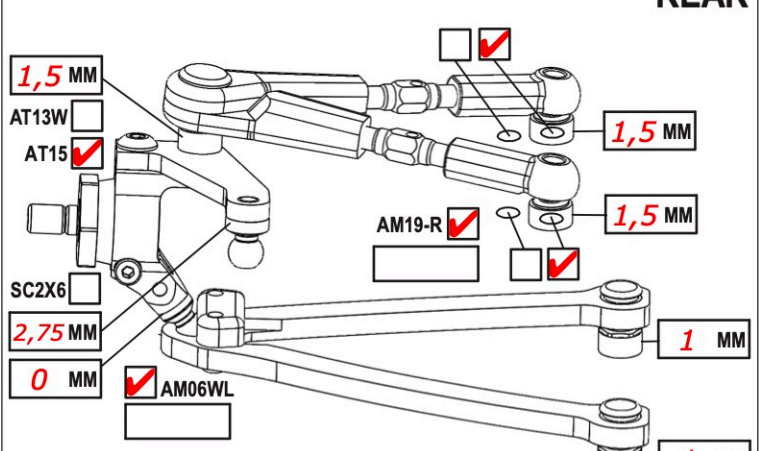


CAMBER ANGLE / ° **1,75**
 CASTER ANGLE / ° **4**
 TOE ANGLE / ° **1,2**
 RIDE HEIGHT / MM **4,6**
 DOWNSTOP / MM **5,6**
 UPSTOP / MM /
 ANTI-ROLL BAR Ø / MM **1,1**
 ARB STIFFENER 1/4 1/2 3/4 1
 LOWER ARM EXTENSION / MM **0**
 STEER. ARM AM14LS **AM14H**
 2ND SPRING SPR-P2 P1 /
 WHEEL SPACER / MM /
 DRIVE SPOOL DIFF
 DRIVE POSITION DOWN UP +1
 DIFF OIL / DIFF SHIMS /

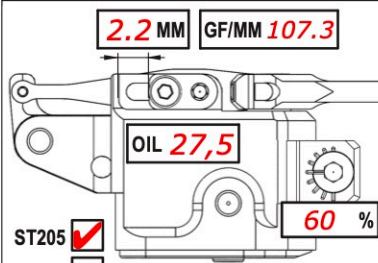


SHOCKS SETUP
 ST205 ST05-R
 DAMPER D4
 ROTOR 2 HOLES
 SPRING STD S
 SRS/RHS ARR. I II
 PSS SETUP 30% 25% 15%
 DAMPING LINEAR P1 P2
 DAMPER SPACER / MM **ST237**
 C45 YES NO

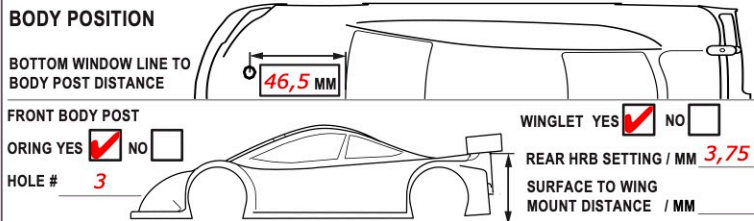
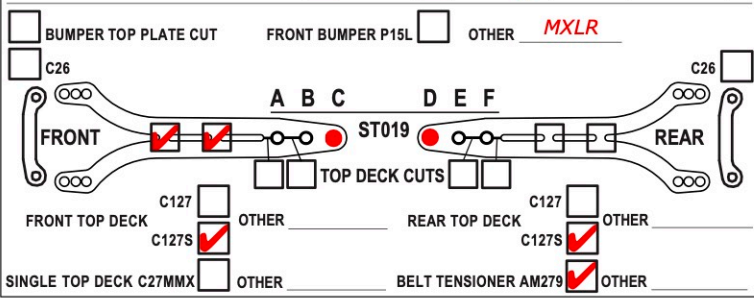
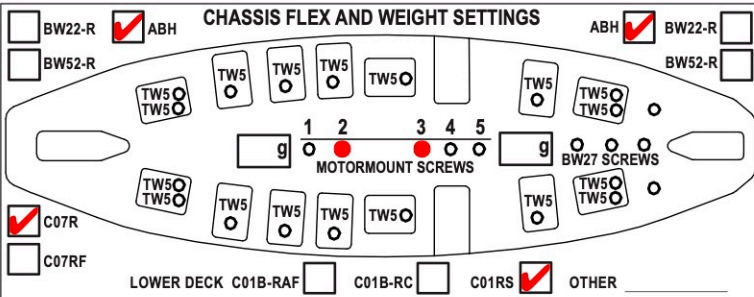
REAR



CAMBER ANGLE / ° **1,75**
 CASTER ANGLE / ° **2**
 TOE ANGLE / ° **2**
 RIDE HEIGHT / MM **5,0**
 DOWNSTOP / MM **4,6**
 UPSTOP / MM /
 ANTI-ROLL BAR Ø / MM **1,1**
 ARB STIFFENER 1/4 1/2 3/4 1
 LOWER ARM EXTENSION / MM **0**
 STEER. ARM AM23-1
 2ND SPRING SPR-P2 P1 /
 WHEEL SPACER / MM /
 DRIVE SPOOL DIFF
 DRIVE POSITION DOWN UP +1
 DIFF OIL **7,5k** DIFF SHIMS **SH5x7x0.4**



SHOCKS SETUP
 ST205 ST05-R
 DAMPER D4
 ROTOR 2 HOLES
 SPRING STD S
 SRS/RHS ARR. I II
 PSS SETUP 30% 25% 15%
 DAMPING LINEAR P1 P2
 DAMPER SPACER / MM **ST237**
 C45 YES NO



TIRES **Sweep D32**
 INSERTS
 SIDE WALLS GLUE Ø / MM F **58** R **58**
 ADDITIVE **RCI V3** TIME MIN. F **10** R **10**
 TOTAL WEIGHT **1301g** WEIGHT DISTRIBUTION % F **49** R **51**
 NOTES:

MOTOR LATERAL SHIFT / MM
 MOTOR **Hobbywing-5T** SERVO **MKS HBL575 SL**
 SPUR **110** PINION **30** RATIO **6.97** SERVOHORN / HEIGHT **16mm**
 BODY **Special-UL** ACKERMANN POSITION **Backward**
 WING **Special-UL** STEER TRAVEL IN **24** OUT
 ESC **Hobbywing-XR10 G3** BATTERY **GensAce 6600mah**
 ESC SETTING RECEIVER **Sanwa**
 BEST LAP TIME **10,6** QUALIF./FINAL POSITION **3 / 2** RADIO **Sanwa M17**

COMMENTS:
Axon oil
MXLR body support on bumper.
Use brake cleaner to clean tyre.