

NAME **Olivier Bultynck**
 RACE **EC 2026**
 TRACK **Paradise RC Arena**
 COUNTRY **Sicily** CLASS **13.5T**

DATE **17-19/04/2026** TEMPERATURE AIR / TRACK °C / °C
 SURFACE ASPHALT OUTDOOR INDOOR CARPET
 TRACK CONDITIONS BUMPY FLAT TECHNICAL MIXED FAST
 TRACTION LOW MEDIUM HIGH

STEERING HUB POST

ST1208-C4S ST1208-C5AL
 ST1208-C5S ST1208-C5AL
 ST1208-C6S ST1208-C6AL
 CAMBER **1.25°**

SUSPENSION PLATE

C1205-X C1205AFS
 C1205-ZT C1205AFS-1.5
 C1205-X-1.5 C1205AFS-5.0
 C1205-6.0 OTHER _____

SERVO PLATE

C1201-X C1201AFS
 C1201-ZT C1201AFS-1.5
 C1201 C1201AFS-5.0
 OTHER _____

STEERING BLOCKS

AT1204-X OTHER _____
 AT1204-ZTX
 BUMPSTEER SHIMS **1.5mm**

REAR SPRING

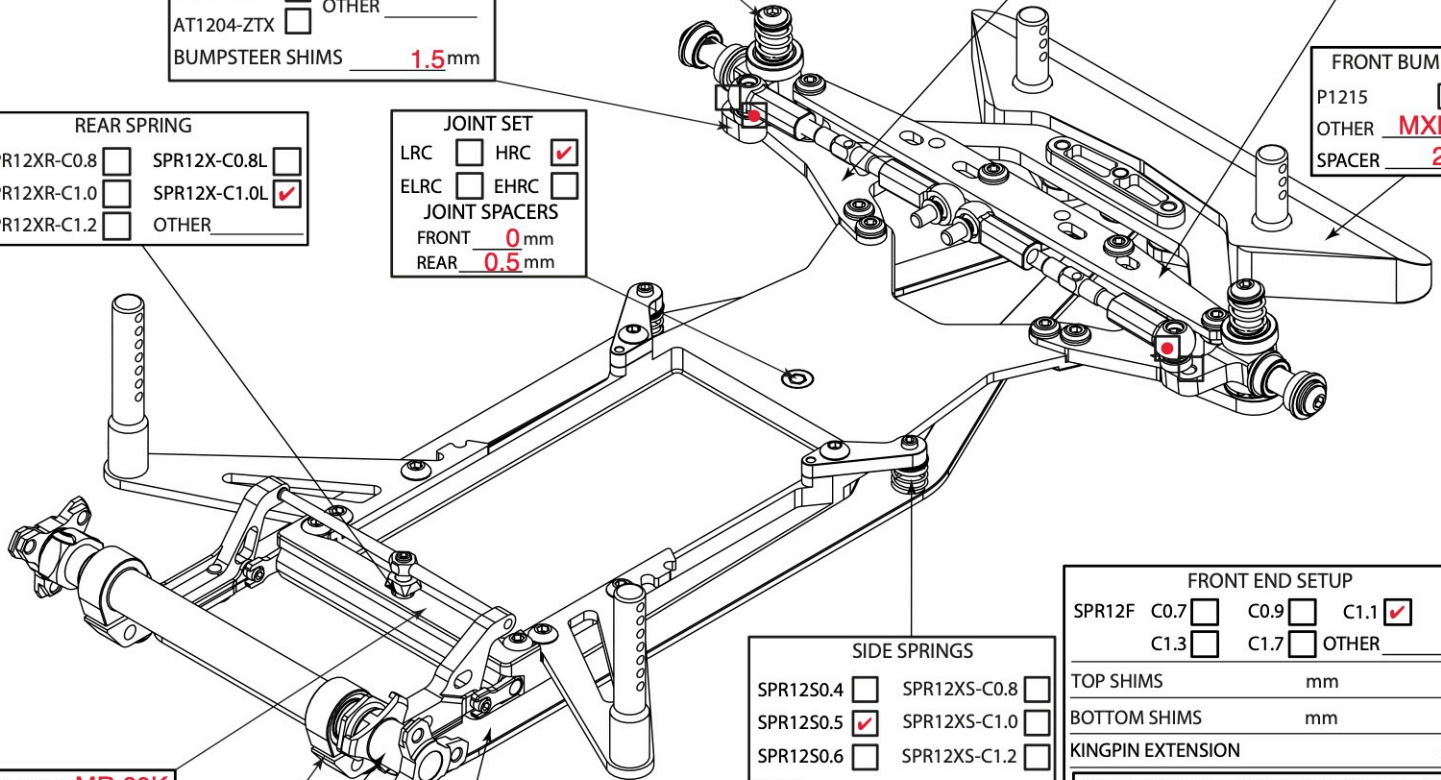
SPR12XR-C0.8 SPR12X-C0.8L
 SPR12XR-C1.0 SPR12X-C1.0L
 SPR12XR-C1.2 OTHER _____

JOINT SET

LRC HRC
 ELRC EHRC
JOINT SPACERS
 FRONT **0mm**
 REAR **0.5mm**

FRONT BUMPER

P1215
 OTHER **MXLR**
 SPACER **2mm**



DAMPER OIL **MR 60K**
 OR14V YES NO

RISE HEIGHT SPACERS **0.75mm**

REAR AXLE

SSS SPOOL BALL DIFF
 CS-1 SPOOL GEAR DIFF
 CARBON BRAND _____
 STEEL OIL _____

OUTER FRAME

AM1204X-ST
 AM1204X-STS
 AM1204WC
 AM1204XT

SIDE SPRINGS

SPR1250.4 SPR12XS-C0.8
 SPR1250.5 SPR12XS-C1.0
 SPR1250.6 SPR12XS-C1.2
 OTHER _____
 SIDE SPRING SHIMS **1mm**
 SIDE SPRING GAP _____mm

FRONT END SETUP

SPR12F C0.7 C0.9 C1.1
 C1.3 C1.7 OTHER _____
 TOP SHIMS _____mm _____pcs
 BOTTOM SHIMS _____mm _____pcs
 KINGPIN EXTENSION _____mm
ADJUSTABLE FRONT SUSPENSION (AFS)
 CASTER 3° 4° 5° 6°
 CAMBER **1.25°** DROOP **1.2mm**
 SPRING PRELOAD **23.65mm**
 O-RINGS 0pcs 1pcs 2pcs
 O-RING TYPE _____
 GREASE **MXLR 10K**

FRONT RIDE HEIGHT (FRH)	3.2mm	FRONT DROOP (FD)	1.2mm
REAR RIDE HEIGHT (RRH)	3.4mm	REAR DOWNSTOP (RD)	2,40mm
GAP UNDER DAMPER (GUD)	1.0mm	TRACK WIDTH	
DOWNSTOP NUT GAP (DNG)	0.6mm	FRONT	167.5mm
SPRING ROD HEIGHT (SRH)	1.6mm	REAR	171.5mm

BATTERY	EAM 9200	SERVO	PowerHD M8H
BATTERY PLUGS	FRONT <input checked="" type="checkbox"/> BACK <input type="checkbox"/>	SERVO SAVER	Hudy Adjustable Servo Saver 9mm
SERVO POSITION	LEFT <input type="checkbox"/> RIGHT <input checked="" type="checkbox"/>	SHIMS ON SERVO SAVER	0mm
ESC POSITION	LEFT <input checked="" type="checkbox"/> RIGHT <input type="checkbox"/>	TOE OUT	1°
		STEER. TRAVEL	IN 26° OUT _____°

TIRES	FRONT	REAR	FRONT 80%mm REAR	
BRAND	HotRace	HotRace		
TYPE	T-foam SS	T-foam SS		
DIAMETER	40.5mm	41.2mm	TIME	60min TIME 90min
GLUED SIDEWALLS	FRONT <input type="checkbox"/>	REAR <input type="checkbox"/>		

MOTOR	HW G5 13.5T	TOTAL WEIGHT	734
SPUR	72 PINION 44 ROLLOUT 79,10	F/R WEIGHT DISTRIBUTION	
ESC	HW XR10 Pro 1S HD	RECEIVER	FlySky
ESC SETTINGS	Blinky	RADIO	FlySky
BODY	Montech M20 ULW	REAR BODY HEIGHT (SIDE DAMS)	~83mm
BEST LAP TIME	10.081	QUALIF / FINAL POSITION	15 / 13

COMMENTS:

MXLR FlexBumper WC Edition (2mm spacer used)
 MXLR Carbon Electronics Plate for A12X&A12WC
 MXLR 12g Tungsten under Receiver
 MXLR Fan Booster
 MXLR Fan Mount
 No SH1.5W between C1204 / C1205X
 AM1204WC Plate used with 20g plate under Lipo
 Servo saver in Wide Ackermann position
 HotRace Soft Rims