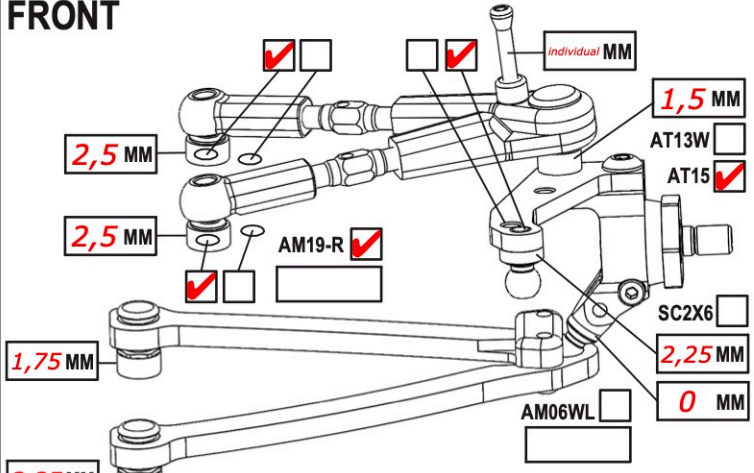


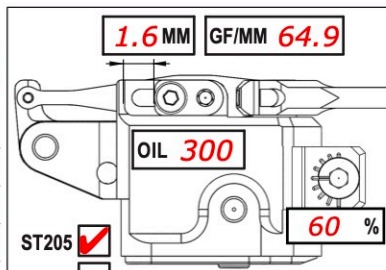
NAME **Louis Kretschmer**
 RACE **ETS RD5 Vienna**
 TRACK **Arena Nova non-permanent**
 COUNTRY **Austria** CLASS **17.5T**

DATE **19.03.-22.03.2026** TEMP. °C AIR / TRACK **20-25 / 20-25**
 TRACK SURFACE ASPHALT CARPET
 TRACK LAYOUT TECHNICAL MIXED FAST
 TRACTION LOW MEDIUM HIGH

FRONT

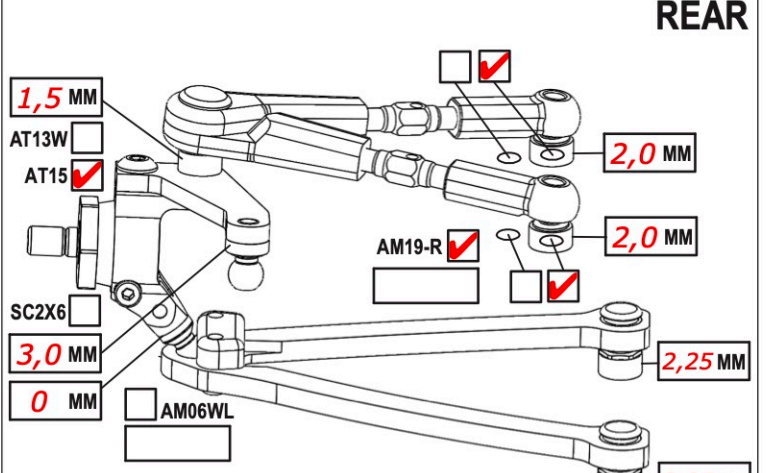


CAMBER ANGLE / ° **1.5**
 CASTER ANGLE / ° **4.0**
 TOE ANGLE / ° **1.245**
 RIDE HEIGHT / MM **5.1**
 DOWNSTOP / MM **5.8**
 UPSTOP / MM **23.6**
 ANTI-ROLL BAR Ø / MM **1,1**
 ARB STIFFENER 1/4 1/2 3/4 1
 LOWER ARM EXTENSION / MM **0**
 STEER. ARM AM14LS
 2ND SPRING SPR-P2 P1
 WHEEL SPACER / MM
 DRIVE SPOOL DIFF
 DRIVE POSITION DOWN UP +1
 DIFF OIL DIFF SHIMS

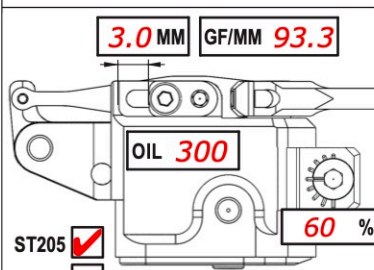


SHOCKS SETUP
 DAMPER D4 **D3 linear**
 ROTOR 2 HOLES
 SPRING STD S
 SRS/RHS ARR. I II
 PSS SETUP 30% 25% 15%
 DAMPING LINEAR P1 P2
 DAMPER SPACER / MM
 C45 YES NO

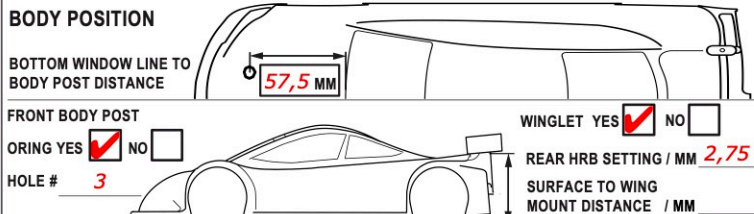
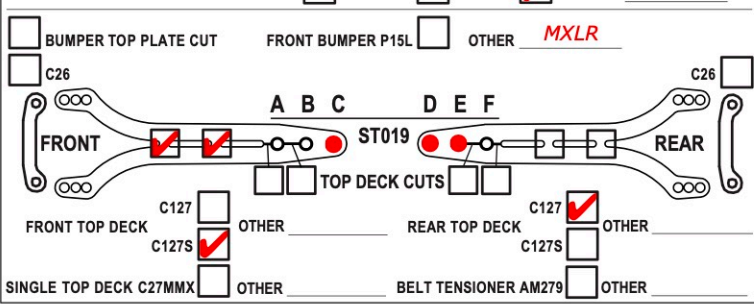
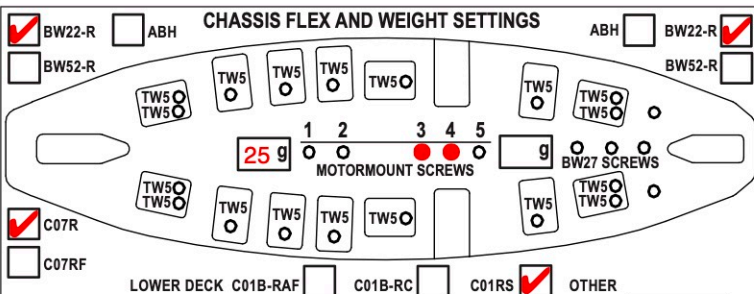
REAR



CAMBER ANGLE / ° **1.5**
 CASTER ANGLE / ° **2.5**
 TOE ANGLE / ° **2.75**
 RIDE HEIGHT / MM **5.3**
 DOWNSTOP / MM **4.6**
 UPSTOP / MM **23.6**
 ANTI-ROLL BAR Ø / MM **1,1**
 ARB STIFFENER 1/4 1/2 3/4 1
 LOWER ARM EXTENSION / MM **0**
 STEER. ARM AM23-1
 2ND SPRING SPR-P2 P1
 WHEEL SPACER / MM
 DRIVE DIFF
 DRIVE POSITION DOWN UP +1
 DIFF OIL **7k (186)** DIFF SHIMS **SH5x7x0.4**



SHOCKS SETUP
 DAMPER D4 **D3 linear**
 ROTOR 2 HOLES
 SPRING STD S
 SRS/RHS ARR. I II
 PSS SETUP 30% 25% 15%
 DAMPING LINEAR P1 P2
 DAMPER SPACER / MM
 C45 YES NO



TIRES **Matrix EPC28**
 INSERTS
 SIDE WALLS GLUE Ø / MM F R
 ADDITIVE **MR33 V5** TIME MIN. F **20+15** R **20+15**
 TOTAL WEIGHT **1302** WEIGHT DISTRIBUTION % F R
 NOTES:

MOTOR LATERAL SHIFT / MM **1** SERVO **MKS HBL 575SL**
 MOTOR **Hobbywing G4R 17,5t ETS** SERVOHORN / HEIGHT **17,5**
 SPUR **102** PINION **43** RATIO **4.51** ACKERMANN POSITION **backward**
 BODY **ZooRacing Wolverine Max 0,4mm** STEER TRAVEL IN **20** OUT
 WING **ZooRacing Wolverine Max 0,4mm** BATTERY **Orca 6600mAh**
 ESC **Hobbywing XR10 G2 Stock Spec** RECEIVER **Sanwa RX-481**
 ESC SETTING RADIO **Sanwa M17**
 BEST LAPTIME - QUALIF./FINAL POSITION **6 / 6**

COMMENTS: