

NAME **Sam Isaacs**
 RACE **2026 Canadian Onroad Nationals**
 TRACK **Seaway Mall, Welland, Ontario**
 COUNTRY **Canada** CLASS **Modified**

DATE **4/12/2026** TEMPERATURE AIR / TRACK **70F °C / 70F °C**
 SURFACE ASPHALT OUTDOOR INDOOR CARPET
 TRACK CONDITIONS BUMPY FLAT TECHNICAL MIXED FAST
 TRACTION LOW MEDIUM HIGH

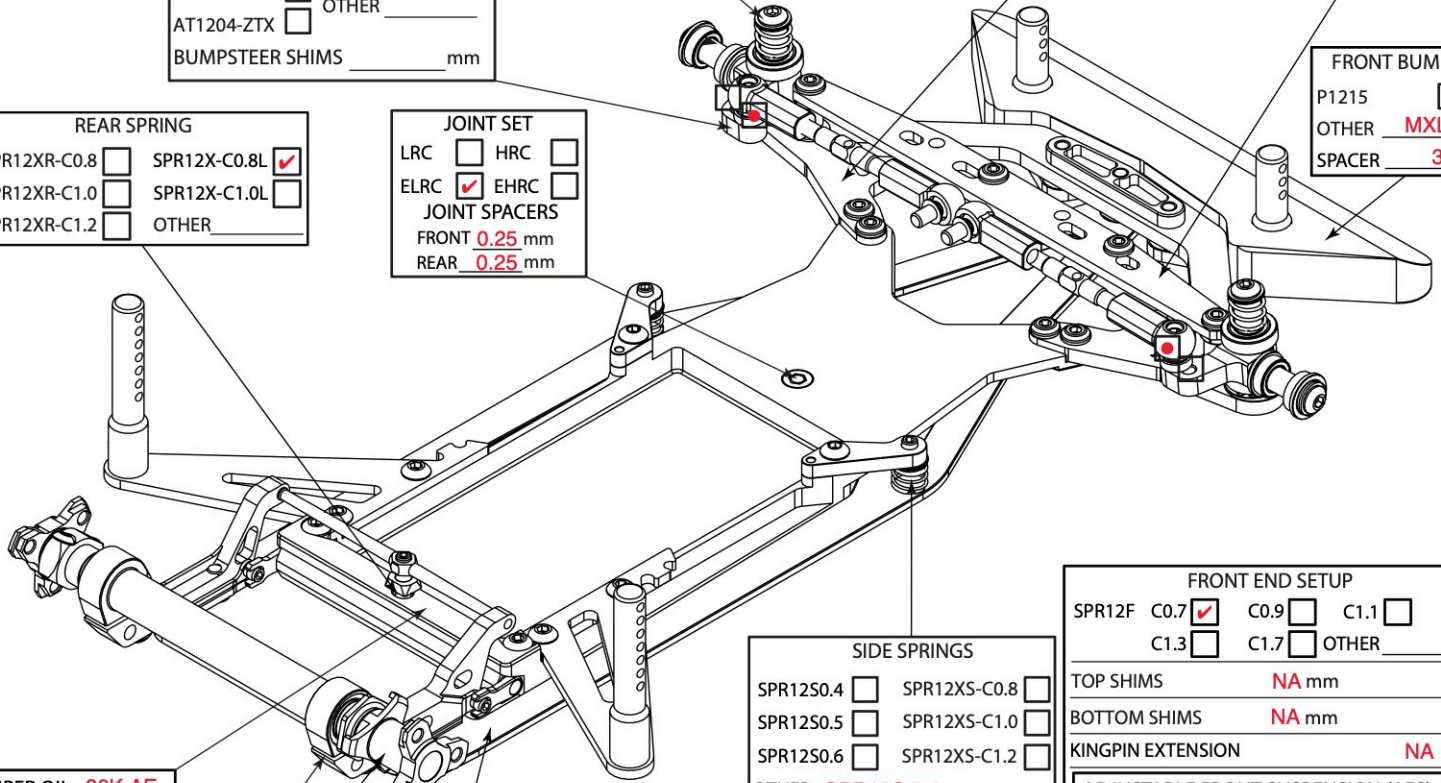
STEERING HUB POST		SUSPENSION PLATE		SERVO PLATE	
ST1208-C4S <input type="checkbox"/>	ST1208-C5AL <input type="checkbox"/>	C1205-X <input type="checkbox"/>	C1205AFS <input checked="" type="checkbox"/>	C1201-X <input type="checkbox"/>	C1201AFS <input checked="" type="checkbox"/>
ST1208-C5S <input type="checkbox"/>	ST1208-C5AL <input type="checkbox"/>	C1205-ZT <input type="checkbox"/>	C1205AFS-1.5 <input type="checkbox"/>	C1201-ZT <input type="checkbox"/>	C1201AFS-1.5 <input type="checkbox"/>
ST1208-C6S <input type="checkbox"/>	ST1208-C6AL <input type="checkbox"/>	C1205-X-1.5 <input type="checkbox"/>	C1205AFS-5.0 <input type="checkbox"/>	C1201 <input type="checkbox"/>	C1201AFS-5.0 <input type="checkbox"/>
CAMBER _____ °		C1205-6.0 <input type="checkbox"/>	OTHER _____	OTHER _____	

STEERING BLOCKS
 AT1204-X OTHER _____
 AT1204-ZTX
 BUMPSTEER SHIMS _____ mm

REAR SPRING
 SPR12XR-C0.8 SPR12X-C0.8L
 SPR12XR-C1.0 SPR12X-C1.0L
 SPR12XR-C1.2 OTHER _____

JOINT SET
 LRC HRC
 ELRC EHRC
 JOINT SPACERS
 FRONT **0.25** mm
 REAR **0.25** mm

FRONT BUMPER
 P1215
 OTHER **MXLR**
 SPACER **3** mm



DAMPER OIL **80K AE**
 OR14V YES NO

RISE HEIGHT SPACERS **0.25** mm

REAR AXLE
 SSS SPOOL BALL DIFF
 CS-1 SPOOL GEAR DIFF
 CARBON BRAND _____
 STEEL OIL _____

OUTER FRAME
 AM1204X-ST
 AM1204X-STs
 AM1204WC
 AM1204XT

SIDE SPRINGS
 SPR12S0.4 SPR12XS-C0.8
 SPR12S0.5 SPR12XS-C1.0
 SPR12S0.6 SPR12XS-C1.2
 OTHER **SPR12S 0.4**
 SIDE SPRING SHIMS **1** mm
 SIDE SPRING GAP **1 full turn** mm

FRONT END SETUP
 SPR12F C0.7 C0.9 C1.1
 C1.3 C1.7 OTHER _____
 TOP SHIMS **NA** mm pcs
 BOTTOM SHIMS **NA** mm pcs
 KINGPIN EXTENSION **NA** mm
 ADJUSTABLE FRONT SUSPENSION (AFS)
 CASTER 3° 4° 5° 6°
 CAMBER **1** ° DROOP **0.7** mm
 SPRING PRELOAD **22.80mm front hub total length** mm
 O-RINGS 0pcs 1pcs 2pcs
 O-RING TYPE _____
 GREASE **15K**

FRONT RIDE HEIGHT (FRH)	3.4 mm	FRONT DROOP (FD)	0.7 mm
REAR RIDE HEIGHT (RRH)	3.6 mm	REAR DOWNSTOP (RD)	1,60 mm
GAP UNDER DAMPER (GUD)	3.9 mm	TRACK WIDTH	
DOWNSTOP NUT GAP (DNG)	1.4 mm	FRONT	169.5 (2mm inside each front tire) mm
SPRING ROD HEIGHT (SRH)	mm	REAR	171.7 mm

BATTERY **Team EAM 9200**
 BATTERY PLUGS FRONT BACK
 SERVO POSITION LEFT RIGHT
 ESC POSITION LEFT RIGHT
 SERVO **Sanwa PGS HX**
 SERVO SAVER **Xray X-hard**
 SHIMS ON SERVO SAVER **2.5** mm
 TOE OUT **0** °
 STEER. TRAVEL IN **22** ° OUT _____ °

TIRES	FRONT	REAR				
BRAND	Jaco	Jaco				
TYPE	Mint	Mint				
DIAMETER	39.45 mm	40.75 mm				
GLUED SIDEWALLS	FRONT <input checked="" type="checkbox"/>	REAR <input type="checkbox"/>	TIME	12 min	TIME	42 min

MOTOR **HW G3 3.5** TOTAL WEIGHT **741g**
 SPUR **88** PINION **24** ROLLOUT **34,91** F/R WEIGHT DISTRIBUTION
 ESC **HW XR10 Pro HS** RECEIVER **Sanwa RX-493**
 ESC SETTINGS **0 boost, 13 turbo** RADIO **Sanwa M17S**
 BODY **Montech M20** REAR BODY HEIGHT (SIDE DAMS) **82** mm
 BEST LAP TIME **6.84** QUALIF / FINAL POSITION **2 / 2**

COMMENTS:

Side springs 1 full turn down before setting tweak
double sauced rears at time of saucing fronts
MXLR Electronics tray
Rear damper reads approximatley 160 on Arrowmax checker.