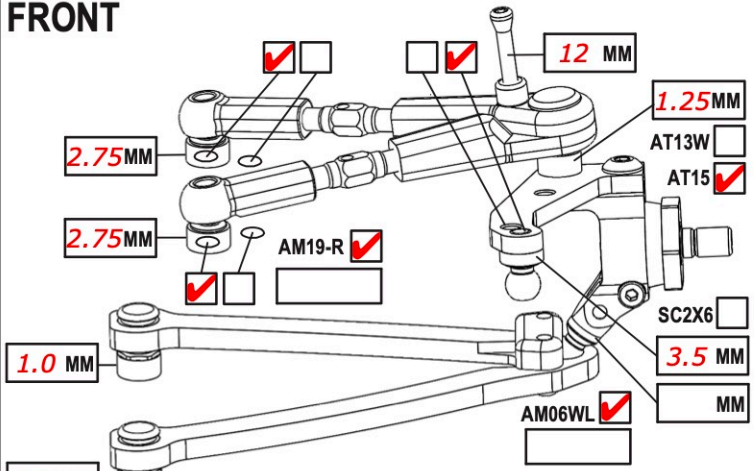


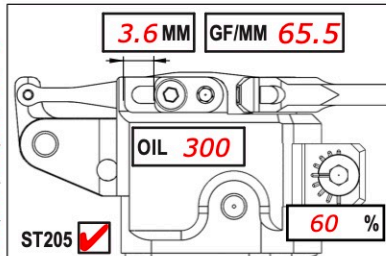
NAME **Timon Coenen**
 RACE **Dutch Nationals Rd. 3**
 TRACK **RACO2000**
 COUNTRY **Netherlands** CLASS **17.5T**

DATE **07-06-2026** TEMP. °C AIR / TRACK /
 TRACK SURFACE ASPHALT CARPET
 TRACK LAYOUT TECHNICAL MIXED FAST
 TRACTION LOW MEDIUM HIGH

FRONT

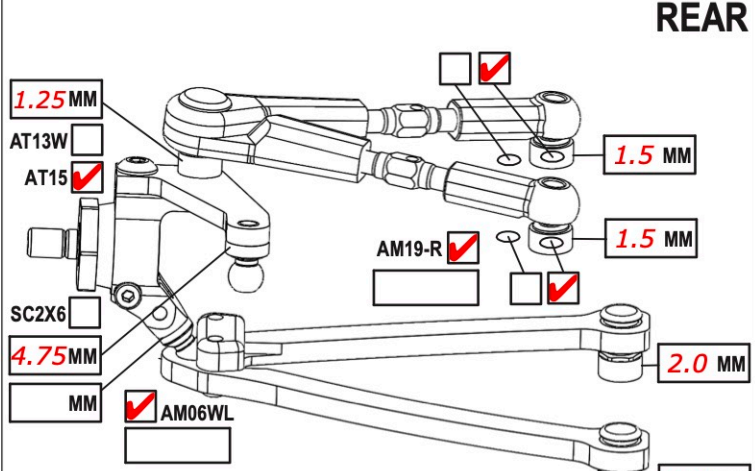


CAMBER ANGLE / ° **1.7**
 CASTER ANGLE / ° **4.2**
 TOE ANGLE / ° **1.0**
 RIDE HEIGHT / MM **4.6**
 DOWNSTOP / MM **5.8**
 UPSTOP / MM **32.0**
 ANTI-ROLL BAR Ø / MM **1.0**
 ARB STIFFENER 1/4 1/2 3/4 1
 LOWER ARM EXTENSION / MM **0**
 STEER. ARM AM14LS
 2ND SPRING SPR-P2 P1
 WHEEL SPACER / MM
 DRIVE SPOOL DIFF
 DRIVE POSITION DOWN UP +1
 DIFF OIL DIFF SHIMS

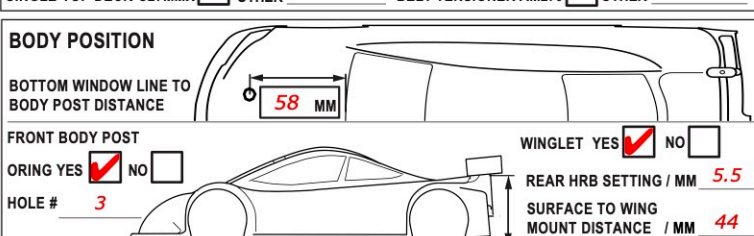
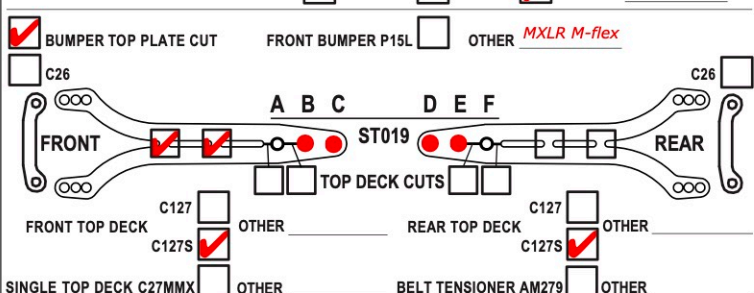
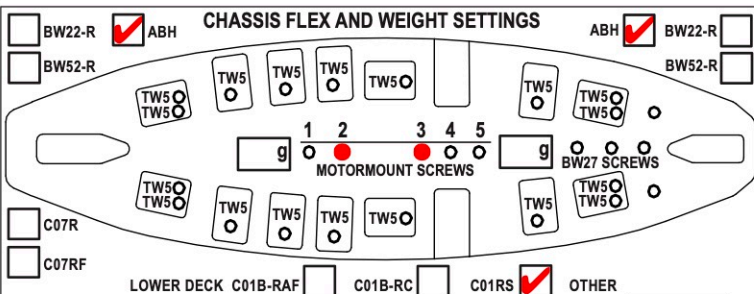
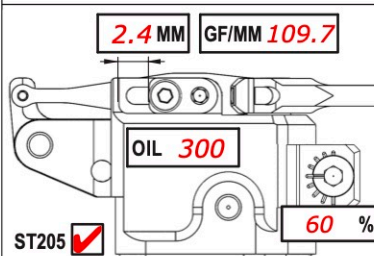


SHOCKS SETUP
 DAMPER D4
 ROTOR 2 HOLES
 SPRING STD S
 SRS/RHS ARR. I II
 PSS SETUP 30% 25% 15%
 DAMPING LINEAR P1 P2
 DAMPER SPACER / MM **1.0**
 C45 YES NO

REAR



CAMBER ANGLE / ° **1.7**
 CASTER ANGLE / ° **3.5**
 TOE ANGLE / ° **2.5**
 RIDE HEIGHT / MM **5.0**
 DOWNSTOP / MM **4.6**
 UPSTOP / MM **32.0**
 ANTI-ROLL BAR Ø / MM **1.1**
 ARB STIFFENER 1/4 1/2 3/4 1
 LOWER ARM EXTENSION / MM **0**
 STEER. ARM AM23-1
 2ND SPRING SPR-P2 P1
 WHEEL SPACER / MM
 DRIVE DIFF
 DRIVE POSITION DOWN UP +1
 DIFF OIL **7k** DIFF SHIMS **SH5X7X0.4**



TIRES **Matrix Z36**
 INSERTS
 SIDE WALLS GLUE Ø / MM F R
 ADDITIVE **MR33 V3** TIME MIN. F **20** R **20**
 TOTAL WEIGHT **1325** WEIGHT DISTRIBUTION % F **50,75** R **49,25**

NOTES:
 MOTOR LATERAL SHIFT / MM **1.0** SERVO **PowerHD GTS2**
 MOTOR **ETS HW G4R 17.5t** SERVOHORN / HEIGHT **18**
 SPUR **90** PINION **45** RATIO **3.80** ACKERMANN POSITION **back**
 BODY **wolverine max 0.4** STEER TRAVEL IN **24** OUT
 WING **wolverine 0.5** BATTERY **EAM 6400**
 ESC **ETS HW XR10 stock spec** RECEIVER **Sanwa**
 ESC SETTING **18K RPM** RADIO **Sanwa**
 BEST LAPTIME QUALIF./FINAL POSITION **2 / 1**

COMMENTS: